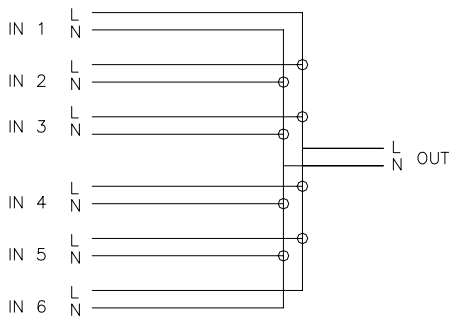


DAC60000 19" 7U RACK

Parallel connecting sub-rack for 6U inverters



System Description

DAC60000 19" 7U rack is designed for parallel connecting of 1-6pcs of 6U inverters. It provides also ideal installation solution for using 6U inverters together with Powernet 30kVA static switch and manual bypass. Inverter AC output cables are located in 1U cable holding space below the inverters and plugs are available in front side. AC outputs are connected in parallel and common output is provided by 6mm² cables from the rear side of the rack.



Large inverter systems

1-24kVA

- 30kVA static switch
- 24VDC systems
- 48/60VDC systems
- 110/125VDC systems
- Convectional cooling
- Fan cooling

Technical information, 19"7U parallel connecting sub-rack				
Type	Capacity	Input AC-cables	Output AC-wires	Dimensions, weight
88680001	1-6pcs of inver modules Max 7.2kVA per rack	Wieland AC output power cables, 6pcs	Fixed output wires 6mm ² / 1,5m	19" x 7U x 300 mm appr. 4kg